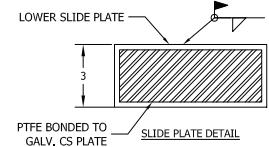
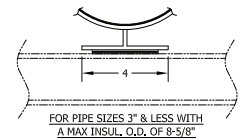
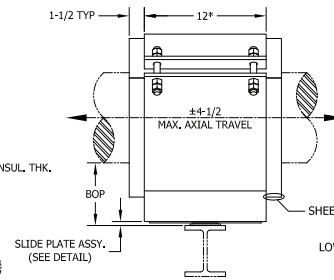
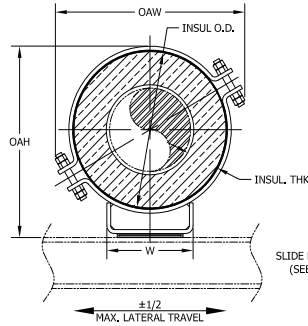
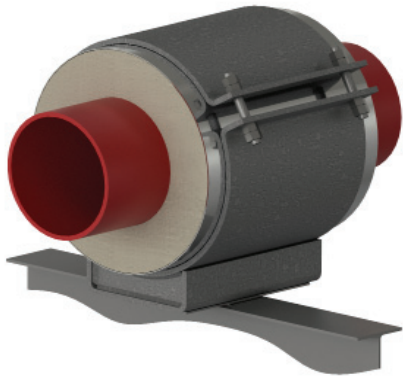


# HSCS - 10 x 1.5 - 4 - 12 - 4000

## NEW DESIGNATION EXAMPLE

## LEGACY DESIGNATION HS-2100

Model No.    Nominal Pipe Size    Insulation Thickness    BOP (in)    Support Length    Vertical Load



\* - 18" for pipe sizes 48 & up.  
All dimensions in inches unless noted.

Do you need special loads or dimensions for this design? Please contact us at (713) 466-4777 or sales@rilco.com.

PIPE SIZE	VERT LOAD (Lbs)	INSULATION THICKNESS																			
		1"				1-1/2"				2"				2-1/2"				3"			
		BOP (in)	INSUL OD (in)	OAW (in)	OAH (in)	BOP (in)	INSUL OD (in)	OAW (in)	OAH (in)	BOP (in)	INSUL OD (in)	OAW (in)	OAH (in)	BOP (in)	INSUL OD (in)	OAW (in)	OAH (in)	BOP (in)	INSUL OD (in)	OAW (in)	OAH (in)
1/2"	280	4	2.875	6	6.5	4	4	7	7	4	5	8	7.5	4	6.625	9	8.5	6	7.625	10	11
3/4"	350	4	2.875	6	6.5	4	4	7	7	4	5	8	7.5	4	6.625	9	8.5	6	7.625	10	11
1"	450	4	3.5	6.5	7	4	4.5	7.5	7.5	4	5.563	8	8	4	6.625	9	8.5	6	7.625	10	11
1-1/2"	650	4	4	7	7.5	4	5	8	8	4	6.625	9	9	4	7.625	10	9.5	6	8.625	11	12
2"	750	4	4.5	7.5	8	4	5.563	8	8.5	4	6.625	9	9	4	7.625	10	9.5	6	8.625	11	12
2-1/2"	920	4	5	8	8.5	4	6.625	9	9.5	4	7.625	10	10	4	8.625	11	10.5	6	9.625	12	13
3"	1060	4	5.56	8	9	4	6.625	9	9.5	4	7.625	10	10	4	8.625	11	10.5	6	9.625	12	13
4"	1680	4	6.625	9	10	4	7.625	10	10.5	4	8.625	11	11	4	9.625	12	11.5	6	10.75	12.5	14
6"	2550	4	8.625	12	12	4	9.625	12.5	12.5	4	10.75	13.5	13.5	4	11.75	14.5	14	6	12.75	15.5	16.5
8"	3400	4	10.75	13.5	14.5	4	11.75	14.5	15	4	12.75	15.5	15.5	6	14	16.5	18	6	15	17.5	18.5
10"	4000	4	12.75	15.5	16.5	4	14	16.5	17	4	15	17.5	17.5	6	16	18	20	6	17	19	20.5
12"	4400	4	15	17.5	18.5	4	16	18	19	4	17	19	19.5	6	18	20	22	6	19	20.5	22.5
14"	5000	4	16	18	19.5	4	17	19	20	4	18	20	20.5	6	19	20.5	23	6	20	21.5	23.5
16"	5800	4	18	20	21.5	4	19	21	22	6	20	22	24.5	6	21	23	25	6	22	23.5	25.5
18"	6400	4	20	22	23.5	4	21	23	24	6	22	23.5	26.5	6	23	24.5	27	6	24	25.5	27.5
20"	6800	4	22	23.5	25.5	4	23	24.5	26	6	24	25.5	28.5	6	25	26.5	29	6	26	27	29.5
24"	7200	4	26	29.5	30	4	27	30.5	30.5	6	28	31	33	6	29	32	33.5	6	30	33	34
30"	9400	4	32	34.5	36	6	33	35.5	38.5	6	34	36.5	39	6	35	37.5	39.5	6	36	38	40
36"	11000	4	38	40	42	6	39	40.5	44.5	6	40	41.5	45	6	41	42.5	45.5	6	42	43.5	46
42"	12400	4	44	45.5	48	6	45	46.5	50.5	6	46	47.5	51	6	47	48.5	51.5	6	48	49.5	52
48"	14200	4	50	51.5	54	6	51	52.5	56.5	6	52	53.5	57	6	53	54.5	57.5	6	54	55.5	58
56"	16600	4	58	59.5	62	6	59	60.5	64.5	6	60	61.5	65	6	61	62.5	65.5	6	62	63.5	66
60"	17800	4	62	63.5	66	6	63	64.5	68.5	6	64	65.5	69	6	65	66.5	69.5	6	66	67.5	70
66"	19500	4	68	69.5	71	6	69	70.5	73.5	6	70	71.5	74	6	71	72.5	74.5	6	72	73.5	75
72"	21300	4	74	75.5	78	6	75	76.5	80.5	6	76	77.5	81	6	77	78.5	81.5	6	78	79.5	82

\*W-Dimension is calculated by multiplying (INSULATION OD\*0.55), when base is not a WT member.

### Applications & Features:

- Accommodates axial travel up to 9" if shoe is offset from supporting steel
- Temperature range to 1200 Deg F
- Higher temperature applications available
- Teflon®/2B SS 304 slide plates on shoe and supporting steel
- Design loads based on a safety factor of 5
- A36 Steel construction
- See technical specification RHS-850
- Test results available upon request
- Steel finish available in galvanized or painted finishes
- Support features calcium silicate insulation with high density calcium silicate structural inserts
- Support constructed in accordance with ASME B31.1, B31.3 and MSS-SP58
- Water-resistant calcium silicate
- A307 or A193 B7 Plated bolts/studs
- For special applications or for information on other insulation thicknesses or pipe sizes, please contact us.

### Ordering Instructions:

To Order, Please Specify:

- Model Number
- Nominal Pipe Size
- Insulation Thickness
- BOP
- Support Length
- Vertical Load
- Lateral & Axial Movements

\* See last page of this document for new designation model number construction

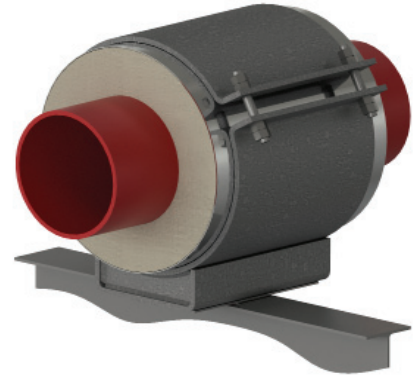
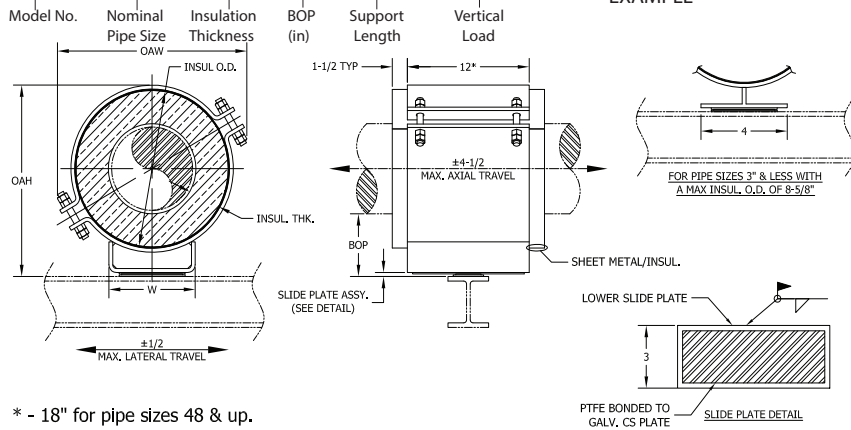
\*\* Information presented on this page subject to change without notice.



# HSCS - 10 x 1.5 - 4 - 12 - 4000

NEW DESIGNATION  
EXAMPLE

LEGACY DESIGNATION **HS-2100**



\* - 18" for pipe sizes 48 & up.  
All dimensions in inches unless noted.

**Do you need special loads or dimensions for this design? Please contact us at (713) 466-4777 or sales@rilco.com.**

PIPE SIZE	VERT LOAD (Lbs)	INSULATION THICKNESS																			
		3-1/2"				4"				4-1/2"				5"				5-1/2"			
		BOP (in)	INSUL OD (in)	OAW (in)	OAH (in)	BOP (in)	INSUL OD (in)	OAW (in)	OAH (in)	BOP (in)	INSUL OD (in)	OAW (in)	OAH (in)	BOP (in)	INSUL OD (in)	OAW (in)	OAH (in)	BOP (in)	INSUL OD (in)	OAW (in)	OAH (in)
1/2"	280	6	8.625	11	11.5	6	9.625	12	12	6	10.75	12.5	12.5	8	11.75	13.5	15	8	12.75	14.5	15.5
3/4"	350	6	8.625	11	11.5	6	9.625	12	12	6	10.75	12.5	12.5	8	11.75	13.5	15	8	12.75	14.5	15.5
1"	450	6	8.625	11	11.5	6	9.625	12	12	6	10.75	12.5	12.5	8	11.75	13.5	15	8	12.75	14.5	15.5
1-1/2"	650	6	9.625	12	12.5	6	10.75	12.5	13	6	11.75	13.5	13.5	8	12.75	14.5	16	8	14	15.5	16.5
2"	750	6	9.625	12	12.5	6	10.75	12.5	13	6	11.75	13.5	13.5	8	12.75	14.5	16	8	14	15.5	16.5
2-1/2"	920	6	10.75	12.5	13.5	6	11.75	13.5	14	6	12.75	14.5	14.5	8	14	15.5	17	8	15	16.5	17.5
3"	1060	6	10.75	12.5	13.5	6	11.75	13.5	14	6	12.75	14.5	14.5	8	14	15.5	17.5	8	15	16.5	18
4"	1680	6	11.75	13.5	14.5	6	12.75	14.5	15	6	14	15.5	16	8	15	16.5	18.5	8	16	17.5	19
6"	2550	6	14	16.5	17	6	15	17.5	17.5	6	16	18	18	8	17	19	20.5	8	18	20	21
8"	3400	6	16	18	19	6	17	19	19.5	8	18	20	22	8	19	20.5	22.5	8	20	21.5	23
10"	4000	6	18	20	21	6	19	20.5	21.5	8	20	21.5	24	8	21	22.5	24.5	8	22	23.5	25
12"	4400	6	20	21.5	23	6	21	22.5	23.5	8	22	23.5	26	8	23	24	26.5	8	24	25	27
14"	5000	6	21	22.5	24	6	22	23.5	24.5	8	23	24	27	8	24	25	27.5	8	25	26	28
16"	5800	6	23	24.5	26	8	24	25.5	28.5	8	25	26.5	29	8	26	27	29.5	8	27	28	30
18"	6400	6	25	26.5	28	8	26	27	30.5	8	27	28	31	8	28	29	31.5	8	29	30	32
20"	6800	6	27	28	30	8	28	29	32.5	8	29	30	33	8	30	31	33.5	8	31	32	34
24"	7200	6	31	34	34.5	8	32	34.5	37	8	33	35.5	37.5	8	34	36.5	38	8	35	37.5	38.5
30"	9400	8	37	39	42.5	8	38	40	43	8	39	40.5	43.5	8	40	41.5	44	10	41	42.5	46.5
36"	11000	8	43	44.5	48.5	8	44	45.5	49	8	45	46.5	49.5	8	46	47.5	50	10	47	48.5	52.5
42"	12400	8	49	50.5	54.5	8	50	51.5	55	8	51	52.5	55.5	8	52	53.5	56	10	53	54.5	58.5
48"	14200	8	55	56.5	60.5	8	56	57.5	61	8	57	58.5	61.5	8	58	59.5	62	10	59	60.5	64.5
56"	16600	8	63	64.5	68.5	8	64	65.5	69	8	65	66.5	69.5	8	66	67.5	70	10	67	68.5	72.5
60"	17800	8	67	68.5	72.5	8	68	69.5	73	8	69	70.5	73.5	8	70	71.5	74	10	71	72.5	76.5
66"	19500	8	73	74.5	77.5	8	74	75.5	78	8	75	76.5	78.5	8	76	77.5	79	10	77	78.5	81.5
72"	21300	8	79	80.5	84.5	8	80	81.5	85	8	81	82.5	85.5	8	82	83.5	86	10	83	84.5	88.5

\*W-Dimension is calculated by multiplying (INSULATION OD\*0.55), when base is not a WT member.

## Applications & Features:

- Accommodates axial travel up to 9" if shoe is offset from supporting steel
- Temperature range to 1200 Deg F
- Higher temperature applications available
- Teflon®/2B SS 304 slide plates on shoe and supporting steel
- Design loads based on a safety factor of 5
- A36 Steel construction
- See technical specification RHS-850
- Test results available upon request
- Steel finish available in galvanized or painted finishes
- Support features calcium silicate insulation with high density calcium silicate structural inserts
- Support constructed in accordance with ASME B31.1, B31.3 and MSS-SP58
- Water-resistant calcium silicate
- A307 or A193 B7 Plated bolts/studs
- For special applications or for information on other insulation thicknesses or pipe sizes, please contact us.

## Ordering Instructions:

- To Order, Please Specify:
- Model Number
  - Nominal Pipe Size
  - Insulation Thickness
  - BOP
  - Support Length
  - Vertical Load
  - Lateral & Axial Movements

\* See last page of this document for new designation model number construction

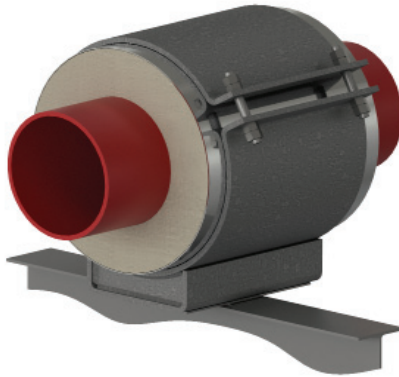
\*\* Information presented on this page subject to change without notice.



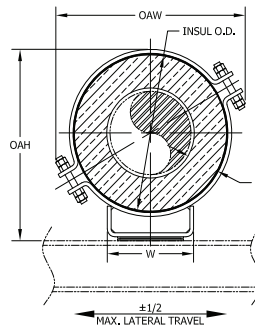
www.rilco.com

# HSCS - 10 x 1.5 - 4 - 12 - 4000

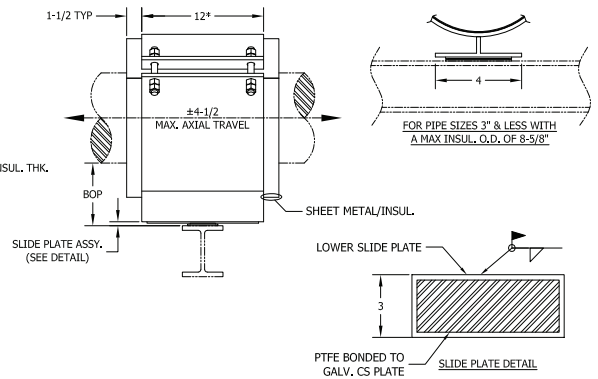
Model No.    Nominal Pipe Size    Insulation Thickness    BOP (in)    Support Length    Vertical Load



## NEW DESIGNATION EXAMPLE



## LEGACY DESIGNATION HS-2100



\* - 18" for pipe sizes 48 & up.  
All dimensions in inches unless noted.

**Do you need special loads or dimensions for this design? Please contact us at (713) 466-4777 or sales@rilco.com.**

PIPE SIZE	VERT LOAD (Lbs)	INSULATION THICKNESS																			
		6"				6-1/2"				7"				7-1/2"				8"			
		BOP (in)	INSUL OD (in)	OAW (in)	OAH (in)	BOP (in)	INSUL OD (in)	OAW (in)	OAH (in)	BOP (in)	INSUL OD (in)	OAW (in)	OAH (in)	BOP (in)	INSUL OD (in)	OAW (in)	OAH (in)	BOP (in)	INSUL OD (in)	OAW (in)	OAH (in)
1/2"	280	8	14	15.5	16	8	15	16.5	16.5	10	16	17.5	19	10	17	18	19.5	10	18	19	20
3/4"	350	8	14	15.5	16	8	15	16.5	16.5	10	16	17.5	19	10	17	18	19.5	10	18	19	20
1"	450	8	14	15.5	16	8	15	16.5	16.5	10	16	17.5	19	10	17	18	19.5	10	18	19	20
1-1/2"	650	8	15	16.5	17	8	16	17.5	17.5	10	17	18	20	10	18	19	20.5	10	19	20	21
2"	750	8	15	16.5	17	8	16	17.5	17.5	10	17	18	20	10	18	19	20.5	10	19	20	21
2-1/2"	920	8	16	17.5	18	8	17	18	18.5	10	18	19	21	10	19	20	21.5	10	20	20.5	22
3"	1060	8	16	17.5	18.5	8	17	18	19	10	18	19	21.5	10	19	20	22	10	20	20.5	22.5
4"	1680	8	17	18	19.5	8	18	19	20	10	19	20	22.5	10	20	20.5	23	10	21	21.5	23.5
6"	2550	8	19	20.5	21.5	8	20	21.5	22	10	21	22.5	24.5	10	22	23.5	25	10	23	24	25.5
8"	3400	8	21	22.5	23.5	10	22	23.5	26	10	23	24	26.5	10	24	25	27	10	25	26	27.5
10"	4000	8	23	24	25.5	10	24	25	28	10	25	26	28.5	10	26	27	29	10	27	28	29.5
12"	4400	8	25	26	27.5	10	26	27	30	10	27	28	30.5	10	28	29	31	10	29	30	31.5
14"	5000	8	26	27	28.5	10	27	28	31	10	28	29	31.5	10	29	30	32	10	30	31	32.5
16"	5800	10	28	29	32.5	10	29	30	33	10	30	31	33.5	10	31	32	34	12	32	33	36.5
18"	6400	10	30	31	34.5	10	31	32	35	10	32	33	35.5	10	33	34	36	12	34	35	38.5
20"	6800	10	32	33	36.5	10	33	34	37	10	34	35	37.5	10	35	36	38	12	36	37	40.5
24"	7200	10	36	38	41	10	37	39	41.5	10	38	40	42	10	39	40.5	42.5	12	40	41.5	45
30"	9400	10	42	43.5	47	10	43	44.5	47.5	10	44	45.5	48	12	45	46.5	50.5	12	46	47.5	51
36"	11000	10	48	49.5	53	10	49	50.5	53.5	10	50	51.5	54	12	51	52.5	56.5	12	52	53.5	57
42"	12400	10	54	55.5	59	10	55	56.5	59.5	10	56	57.5	60	12	57	58.5	62.5	12	58	59.5	63
48"	14200	10	60	61.5	65	10	61	62.5	65.5	10	62	63.5	66	12	63	64.5	68.5	12	64	65.5	69
56"	16600	10	68	69.5	73	10	69	70.5	73.5	10	70	71.5	74	12	71	72.5	76.5	12	72	73.5	77
60"	17800	10	72	73.5	77	10	73	74.5	77.5	10	74	75.5	78	12	75	76.5	80.5	12	76	77.5	81
66"	19500	10	78	79.5	82	10	79	80.5	82.5	10	80	81.5	83	12	81	82.5	85.5	12	82	83.5	86
72"	21300	10	84	85.5	89	10	85	86.5	89.5	10	86	87.5	90	12	87	88.5	92.5	12	88	89.5	93

\*W-Dimension is calculated by multiplying (INSULATION OD\*0.55), when base is not a WT member.

### Applications & Features:

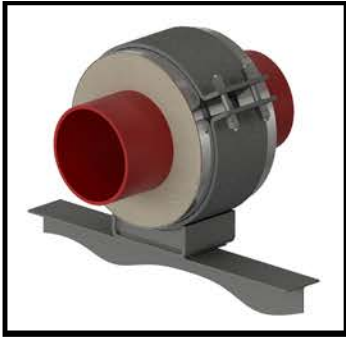
- Accommodates axial travel up to 9" if shoe is offset from supporting steel
- Temperature range to 1200 Deg F
- Higher temperature applications available
- Teflon®/2B SS 304 slide plates on shoe and supporting steel
- Design loads based on a safety factor of 5
- A36 Steel construction
- See technical specification RHS-850
- Test results available upon request
- Steel finish available in galvanized or painted finishes
- Support features calcium silicate insulation with high density calcium silicate structural inserts
- Support constructed in accordance with ASME B31.1, B31.3 and MSS-SP58
- Water-resistant calcium silicate
- A307 or A193 B7 Plated bolts/studs
- For special applications or for information on other insulation thicknesses or pipe sizes, please contact us.

### Ordering Instructions:

- To Order, Please Specify:
- Model Number
  - Nominal Pipe Size
  - Insulation Thickness
  - BOP
  - Support Length
  - Vertical Load
  - Lateral & Axial Movements

\* See last page of this document for new designation model number construction

\*\* Information presented on this page subject to change without notice.



# HSCS - 6x3-4-18-3500-1200-2000

## TEMPERATURE CLASSIFICATION

HOT (H) - (typical range 0°F to 1200°F)

COLD (C) - (typical range -450°F to 200°F)

DUAL TEMP (D) - (typical range -450°F to 1200°F)

## FUNCTION

**SLIDE** (S) (for vertically restrained pipe)  
i.e. HSCS-3x1.5-4-12-2100

- **SLIDE** (H) (for vertically restrained pipe, high lateral travel)  
i.e. HS(H)CS-1x1.5-4-6-225-80

**GUIDE** (G) (for vertically and laterally restrained pipe)  
i.e. HGCS-6x1.5-4-6-1275-450

- **GUIDE** (L) (for vertically and laterally restrained pipe, allows uplift of piping)  
i.e. HG(L)CS-1x1.5-4-6-225-80

- **GUIDE** (M) (for vertically and laterally restrained pipe, guided at cradle)  
i.e. HG(M)CS-1x1.5-4-6-225-80

**ANCHOR** (A) (for vertically, laterally and axially restrained pipe)  
i.e. HACS-4x1.5-4-6-840-295-1730

**HANGING** (H) (for vertically restrained pipe)  
i.e. HHCS-3x1.5-4-12-2100

**RISER** (V) (for vertically restrained pipe)  
i.e. HVCS-3x1.5-4-12-2100

**FLAT** (F) (for vertically restrained pipe)  
i.e. HFCS-3x1.5-4-12-2100

**ROLLER** (R) (for vertically restrained pipe)  
i.e. HRCS-3x1.5-4-12-2100

## INSULATION TYPE

Calcium Silicate (CS)

PyroWrap (PW) (Aspen Aerogels Pyrogel® XT-E)

Polyurethane Foam (PF)

FOAMGLAS® (FG)

CryoWrap (CW) (Aspen Aerogels Cryogel® Z)

