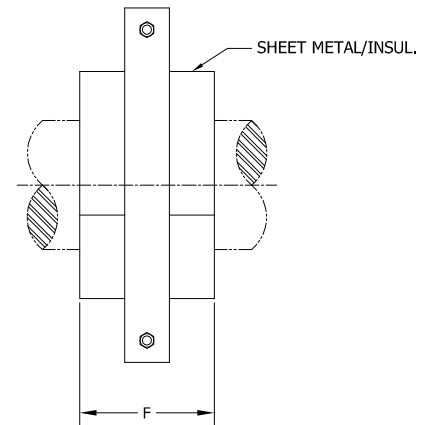
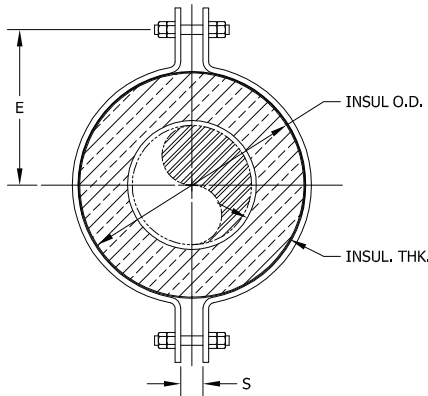
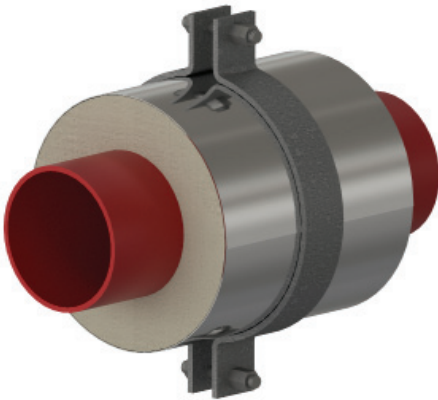


# HHCS - 4 x 1.5 - 9 - 3465

Model No.    Nominal Pipe Size    Insulation Thickness    F (in)    Vertical Load

NEW DESIGNATION  
EXAMPLE

LEGACY DESIGNATION **HH-3300**



PIPE SIZE	VERT LOAD (Lbs)	INSULATION THICKNESS																			
		1"				1-1/2"				2"				2-1/2"				3"			
		F (in)	INSUL OD (in)	E (in)	S (in)	F (in)	INSUL OD (in)	E (in)	S (in)	F (in)	INSUL OD (in)	E (in)	S (in)	F (in)	INSUL OD (in)	E (in)	S (in)	F (in)	INSUL OD (in)	E (in)	S (in)
1"	1150	9	3.5	3.25	0.875	9	4.5	3.75	0.875	9	5.563	4.25	0.875	9	6.625	4.875	0.875	9	7.625	5.375	0.875
1-1/2"	1640	9	4	3.5	0.875	9	5	4.125	0.875	9	6.625	5	0.875	9	7.625	5.625	0.875	9	8.625	6.125	0.875
2"	1740	9	4.5	3.875	0.875	9	5.563	4.5	0.875	9	6.625	5	0.875	9	7.625	5.625	0.875	9	8.625	6.125	0.875
2-1/2"	1815	9	5	4.125	0.875	9	6.625	5.125	0.875	9	7.625	5.625	0.875	9	8.625	6.125	0.875	9	9.625	6.625	0.875
3"	2765	9	5.563	4.75	1.25	9	6.625	5.25	1.25	9	7.625	5.875	1.25	9	8.625	6.375	1.25	9	9.625	6.875	1.25
4"	3465	9	6.625	5.25	1.25	9	7.625	5.875	1.25	9	8.625	6.375	1.25	9	9.625	6.875	1.25	9	10.75	7.5	1.25
6"	5185	9	8.625	6.875	1.75	9	9.625	7.375	1.75	9	10.75	8	1.75	9	11.75	8.5	1.75	9	12.75	9	1.75
8"	7230	9	10.75	8.75	1.75	9	11.75	9.375	1.75	9	12.75	9.875	1.75	9	14	10.5	1.75	9	15	11	1.75
10"	8415	9	12.75	10	1.75	9	14	11	1.75	9	15	11.5	1.75	9	16	12	1.75	9	17	12.5	1.75
12"	10480	9	15	11.5	1.75	9	16	12	1.75	9	17	12.5	1.75	9	18	13.13	1.75	9	19	13.625	1.75
14"	10515	9	16	12	1.75	9	17	12.5	1.75	9	18	13.13	1.75	9	19	13.63	1.75	9	20	14.125	1.75
16"	11490	9	18	13.125	1.75	9	19	13.63	1.75	9	20	14.13	1.75	9	21	15.25	1.75	9	22	15.75	1.75
18"	15025	9	20	15	2.625	12	21	15.63	2.625	12	22	16.13	2.625	12	23	16.63	2.625	12	24	17.125	2.625
20"	16580	12	22	16.125	2.625	12	23	16.63	2.625	12	24	17.13	2.625	12	25	17.63	2.625	12	26	18.25	2.625
24"	19165	12	26	18.375	2.625	12	27	19.63	2.625	12	28	20.13	2.625	12	29	20.63	2.625	12	30	21.125	2.625
30"	21800	12	32	22.25	2.625	12	33	22.75	2.625	12	34	23.25	2.625	12	35	23.75	2.625	12	36	24.25	2.625
36"	25255	12	38	26	2.625	12	39	26.5	2.625	12	40	27	2.625	12	41	27.5	2.625	12	42	28	2.625
42"	25375	12	44	29.125	2.625	12	45	29.63	2.625	12	46	30.13	2.625	12	47	30.63	2.625	12	48	31.125	2.625

### Applications & Features:

- Insulated Pipe Support with a Heavy Duty 2-Bolt Pipe Clamp
- For use with standard pipe hanger hardware
- Temperature range to 1200 Deg F
- Higher temperature applications available
- Support and insulate steam, hot water, chilled water, gas and HVAC lines
- Low installation costs
- A-36 clamp available in galvanized or painted finishes
- Water-resistant calcium silicate
- Galvanized steel jacket
- Support constructed in accordance with MSS-SP58
- A307 or A193 B7 Plated bolts/studs
- For special applications or for information on other insulation thicknesses or pipe sizes, please contact us.

### Ordering Instructions:

To Order, Please Specify:

- Model Number
- Nominal Pipe Size
- Insulation Thickness
- Vertical Load
- Operating Temperature

\* See last page of this document for new designation model number construction

\*\* Information presented on this page subject to change without notice.

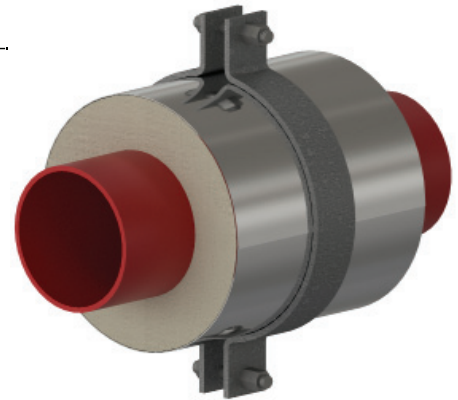
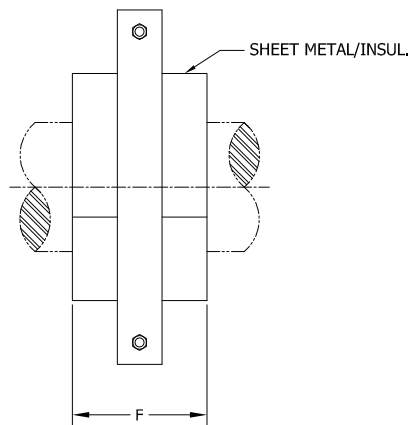
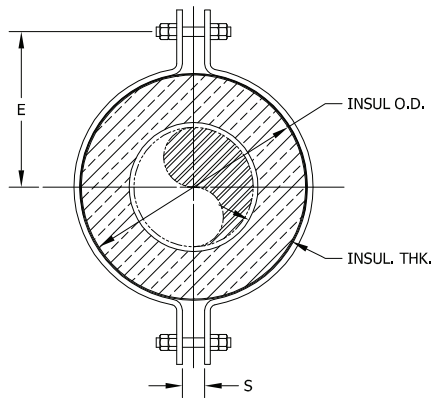


# HHCS - 4 x 1.5 - 9 - 3465

NEW DESIGNATION  
EXAMPLE

LEGACY DESIGNATION HH-3300

Model No.    Nominal Pipe Size    Insulation Thickness    F (in)    Vertical Load



PIPE SIZE	VERT LOAD (Lbs)	INSULATION THICKNESS																			
		3-1/2"				4"				4-1/2"				5"				5-1/2"			
		F (in)	INSUL OD (in)	E (in)	S (in)	F (in)	INSUL OD (in)	E (in)	S (in)	F (in)	INSUL OD (in)	E (in)	S (in)	F (in)	INSUL OD (in)	E (in)	S (in)	F (in)	INSUL OD (in)	E (in)	S (in)
1"	1150	9	8.625	5.875	0.875	9	9.625	6.375	0.875	9	10.75	6.875	0.875	9	11.75	7.5	0.875	9	12.75	8	0.875
1-1/2"	1640	9	9.625	6.625	0.875	9	10.75	7.25	0.875	9	11.75	7.75	0.875	9	12.75	8.25	0.875	9	14	9	0.875
2"	1740	9	9.625	6.625	0.875	9	10.75	7.25	0.875	9	11.75	7.75	0.875	9	12.75	8.25	0.875	9	14	9	0.875
2-1/2"	1815	9	10.75	7.25	0.875	9	11.75	7.75	0.875	9	12.75	8.25	0.875	9	14	9.125	0.875	9	15	9.75	0.875
3"	2765	9	10.75	7.5	1.25	9	11.75	8	1.25	9	12.75	8.5	1.25	9	14	9.375	1.25	9	15	9.875	1.25
4"	3465	9	11.75	8	1.25	9	12.75	8.5	1.25	9	14	9.375	1.25	9	15	10.75	1.25	9	16	11.375	1.25
6"	5185	9	14	9.625	1.75	9	15	10.13	1.75	9	16	10.63	1.75	9	17	12.38	1.75	9	18	13	1.75
8"	7230	9	16	11.625	1.75	9	17	12.38	1.75	9	18	13	1.75	9	19	13.5	1.75	9	20	14	1.75
10"	8415	9	18	13.125	1.75	9	19	13.63	1.75	9	20	14.13	1.75	9	21	15.25	1.75	9	22	15.75	1.75
12"	10480	9	20	14.125	1.75	9	21	15.25	1.75	9	22	15.75	1.75	9	23	16.38	1.75	9	24	16.875	1.75
14"	10515	9	21	15.25	1.75	9	22	15.75	1.75	9	23	16.38	1.75	9	24	16.88	1.75	9	25	17.375	1.75
16"	11490	9	23	16.375	1.75	9	24	16.88	1.75	9	25	17.38	1.75	9	26	17.88	1.75	9	27	18.375	1.75
18"	15025	12	25	17.625	2.625	12	26	18.25	2.625	12	27	18.75	2.625	12	28	19.25	2.625	12	29	19.75	2.625
20"	16580	12	27	18.75	2.625	12	28	19.25	2.625	12	29	19.75	2.625	12	30	20.25	2.625	12	31	20.75	2.625
24"	19165	12	31	21.625	2.625	12	32	22.25	2.625	12	33	22.75	2.625	12	34	23.25	2.625	12	35	23.75	2.625
30"	21800	12	37	25.5	2.625	12	38	26	2.625	12	39	26.5	2.625	12	40	27	2.625	12	41	27.5	2.625
36"	25255	12	43	28.625	2.625	12	44	29.13	2.625	12	45	29.63	2.625	12	46	30.13	2.625	12	47	30.625	2.625
42"	25375	12	49	31.625	2.625	12	50	32.13	2.625	12	51	32.63	2.625	12	52	33.13	2.625	12	53	33.75	2.625

### Applications & Features:

- Insulated Pipe Support with a Heavy Duty 2-Bolt Pipe Clamp
- For use with standard pipe hanger hardware
- Temperature range to 1200 Deg F
- Higher temperature applications available
- Support and insulate steam, hot water, chilled water, gas and HVAC lines
- Low installation costs
- A-36 clamp available in galvanized or painted finishes
- Water-resistant calcium silicate
- Galvanized steel jacket
- Support constructed in accordance with MSS-SP58
- A307 or A193 B7 Plated bolts/studs
- For special applications or for information on other insulation thicknesses or pipe sizes, please contact us.

### Ordering Instructions:

To Order, Please Specify:

- Model Number
- Nominal Pipe Size
- Insulation Thickness
- Vertical Load
- Operating Temperature

\* See last page of this document for new designation model number construction

\*\* Information presented on this page subject to change without notice.



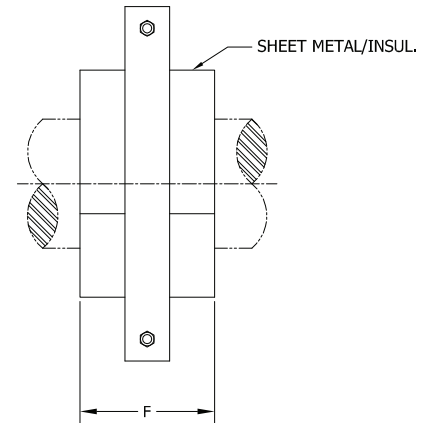
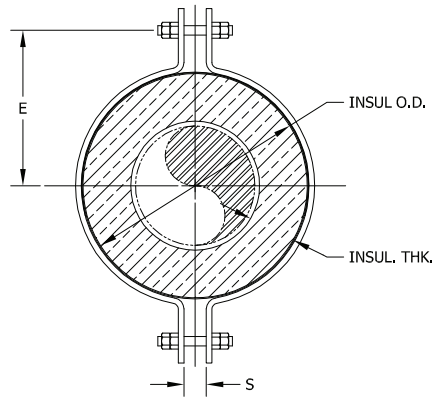
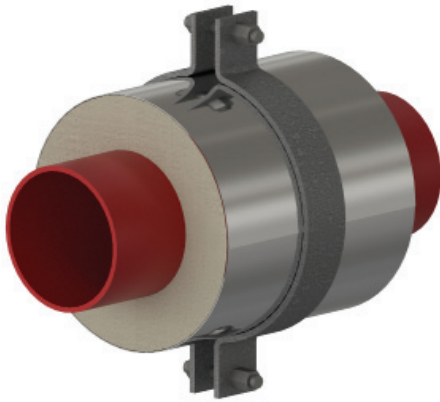
www.rilco.com

# HHCS - 4 x 1.5 - 9 - 3465

Model No.    Nominal Pipe Size    Insulation Thickness    F (in)    Vertical Load

NEW DESIGNATION  
EXAMPLE

LEGACY DESIGNATION **HH-3300**



PIPE SIZE	VERT LOAD (Lbs)	INSULATION THICKNESS																			
		6"				6-1/2"				7"				7-1/2"				8"			
		F (in)	INSUL OD (in)	E (in)	S (in)	F (in)	INSUL OD (in)	E (in)	S (in)	F (in)	INSUL OD (in)	E (in)	S (in)	F (in)	INSUL OD (in)	E (in)	S (in)	F (in)	INSUL OD (in)	E (in)	S (in)
1"	1150	9	14	8.625	0.875	9	15	9.25	0.875	9	16	9.75	0.875	9	17	10.25	0.875	9	18	10.75	0.875
1-1/2"	1640	9	15	9.5	0.875	9	16	10	0.875	9	17	10.5	0.875	9	18	11	0.875	9	19	11.5	0.875
2"	1740	9	15	9.5	0.875	9	16	10	0.875	9	17	10.5	0.875	9	18	11	0.875	9	19	11.5	0.875
2-1/2"	1815	9	16	10.25	0.875	9	17	10.75	0.875	9	18	11.25	0.875	9	19	11.75	0.875	9	20	12.25	0.875
3"	2765	9	16	10.375	1.25	9	17	10.88	1.25	9	18	11.38	1.25	9	19	11.88	1.25	9	20	12.375	1.25
4"	3465	9	17	11.875	1.25	9	18	12.38	1.25	9	19	12.88	1.25	9	20	13.38	1.25	9	21	13.875	1.25
6"	5185	9	19	13.5	1.75	9	20	14	1.75	9	21	14.5	1.75	9	22	15	1.75	9	23	15.5	1.75
8"	7230	9	21	14.5	1.75	9	22	15	1.75	9	23	15.5	1.75	9	24	16	1.75	9	25	16.625	1.75
10"	8415	9	23	16.375	1.75	9	24	16.88	1.75	9	25	17.38	1.75	9	26	17.88	1.75	9	27	18.375	1.75
12"	10480	9	25	17.375	1.75	9	26	17.88	1.75	9	27	18.38	1.75	9	28	18.88	1.75	9	29	19.375	1.75
14"	10515	9	26	17.875	1.75	9	27	18.38	1.75	9	28	18.88	1.75	9	29	19.38	1.75	9	30	20	1.75
16"	11490	9	28	18.875	1.75	9	29	19.38	1.75	9	30	20	1.75	9	31	20.5	1.75	9	32	21	1.75
18"	15025	12	30	20.25	2.625	12	31	20.75	2.625	12	32	21.25	2.625	12	33	21.88	2.625	12	34	22.375	2.625
20"	16580	12	32	21.25	2.625	12	33	21.88	2.625	12	34	22.38	2.625	12	35	22.88	2.625	12	36	23.375	2.625
24"	19165	12	36	24.25	2.625	12	37	25.5	2.625	12	38	26	2.625	12	39	26.5	2.625	12	40	27	2.625
30"	21800	12	42	28	2.625	12	43	28.63	2.625	12	44	29.13	2.625	12	45	29.63	2.625	12	46	30.125	2.625
36"	25255	12	48	31.125	2.625	12	49	31.63	2.625	12	50	32.13	2.625	12	51	32.63	2.625	12	52	33.125	2.625
42"	25375	12	54	34.25	2.625	12	55	34.75	2.625	12	56	35.25	2.625	12	57	35.75	2.625	12	58	36.25	2.625

### Applications & Features:

- Insulated Pipe Support with a Heavy Duty 2-Bolt Pipe Clamp
- For use with standard pipe hanger hardware
- Temperature range to 1200 Deg F
- Higher temperature applications available
- Support and insulate steam, hot water, chilled water, gas and HVAC lines
- Low installation costs
- A-36 clamp available in galvanized or painted finishes
- Water-resistant calcium silicate
- Galvanized steel jacket
- Support constructed in accordance with MSS-SP58
- A307 or A193 B7 Plated bolts/studs
- For special applications or for information on other insulation thicknesses or pipe sizes, please contact us.

### Ordering Instructions:

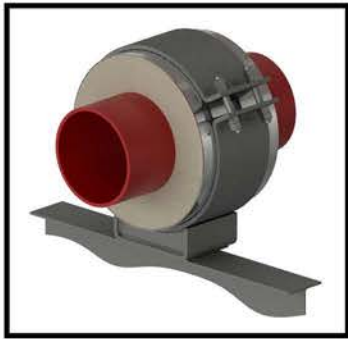
To Order, Please Specify:

- Model Number
- Nominal Pipe Size
- Insulation Thickness
- Vertical Load
- Operating Temperature

\* See last page of this document for new designation model number construction

\*\* Information presented on this page subject to change without notice.





# HSCS - 6x3-4-18-3500-1200-2000

## TEMPERATURE CLASSIFICATION

**HOT (H)** - (typical range 0°F to 1200°F)

**COLD (C)** - (typical range -450°F to 200°F)

**DUAL TEMP (D)** - (typical range -450°F to 1200°F)

## FUNCTION

**SLIDE (S)** (for vertically restrained pipe)  
i.e. HSPW-3x1.5-4-12-2100

**GUIDE (G)** (for vertically and laterally restrained pipe)  
i.e. HGPW-6x1.5-4-6-1275-450

- **GUIDE (L)** (for vertically and laterally restrained pipe, allows uplift of piping)  
i.e. HG(L)PW-1x1.5-4-6-225-80

- **GUIDE (M)** (for vertically and laterally restrained pipe, guided at cradle)  
i.e. HG(M)PW-1x1.5-4-6-225-80

**ANCHOR (A)** (for vertically, laterally and axially restrained pipe)  
i.e. HAPW-4x1.5-4-6-840-295-1730

**HANGING (H)** (for vertically restrained pipe)  
i.e. HHPW-3x1.5-4-12-2100

**RISER (V)** (for vertically restrained pipe)  
i.e. HVPW-3x1.5-4-12-2100

**FLAT (F)** (for vertically restrained pipe)  
i.e. HFPW-3x1.5-4-12-2100

**ROLLER (R)** (for vertically restrained pipe)  
i.e. HRPW-3x1.5-4-12-2100

## INSULATION TYPE

Calcium Silicate (CS)

PyroWrap (PW) (Aspen Aerogels Pyrogel® XT-E)

Polyurethane Foam (PF)

FOAMGLAS® (FG)

CryoWrap (CW) (Aspen Aerogels Cryogel® Z)

AXIAL LOAD (lbs)

LATERAL LOAD (lbs)

VERTICAL LOAD (lbs)

STEEL LENGTH (in)

BOP (in)

INSULATION THICKNESS (in)

PIPE SIZE (in)