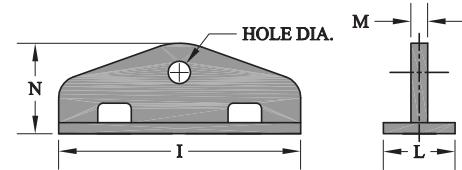
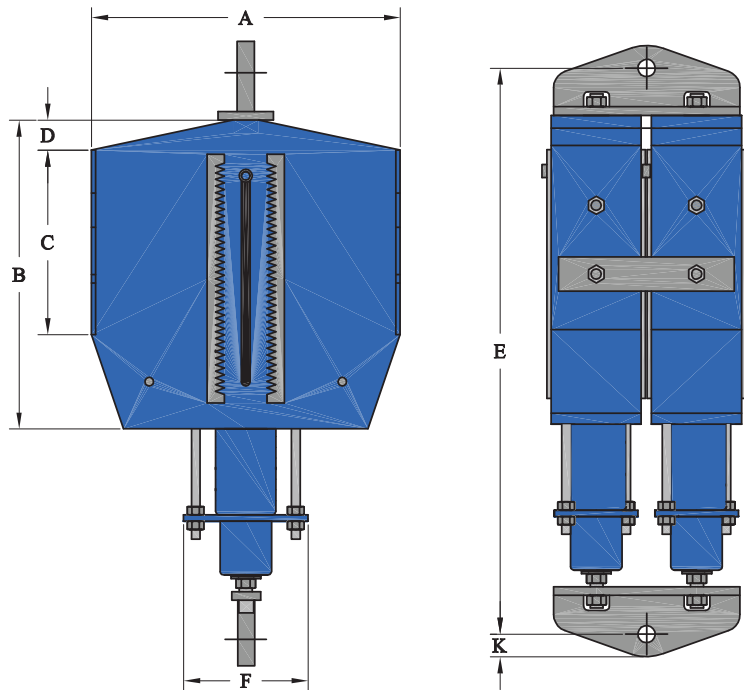


**Metric Units of Measure**

RCR Multiple Unit Assemblies  
 69.8 mm to 76.2 mm Hanger rod diameter  
 11113-19504 kilogram capacity

E\* refers only to the uppermost blocking position.  
 Downward travel increases E dimension directly.

Hanger rod provided in U.S. customary units.  
 See rod diameter in tables below.



Top and Bottom Lug Plates

RILCO CAM ROLLER™ Identifier	A	B	C	D	E*	F	H	I	K	L	M	N	Hole Dia.	Rod Diameter	Est. Unit Wt kg.
RCR 24500-18	1245	1118	743	127	2584	419	648	565	89	83	29	248	79	69.8 (2-3/4")	1557.2
RCR 28500-12	1156	927	387	3099	2146	400	635	552	89	83	29	248	79	69.8 (2-3/4")	1112.3
RCR 30000-18	1302	1626	851	248	3086	419	692	603	89	89	35	248	79	69.8 (2-3/4")	2022.6
RCR 35000-3	857	584	330	51	1207	387	635	552	89	83	29	248	79	69.8 (2-3/4")	615.2
RCR 35000-6	991	718	343	216	1638	387	635	552	89	83	29	248	79	69.8 (2-3/4")	819.5
RCR 35000-12	1245	1118	743	127	2584	419	635	552	89	83	29	248	79	69.8 (2-3/4")	1557.2
RCR 37000-18	1353	1619	800	292	3251	457	705	616	108	89	35	286	86	76.2 (3")	2383.5
RCR 43000-3	908	629	349	51	1308	438	692	603	108	89	35	286	86	76.2 (3")	785.4
RCR 43000-6	1143	787	356	248	1740	438	692	603	108	89	35	286	86	76.2 (3")	1069.2
RCR 43000-12	1302	1092	584	248	2711	457	705	616	108	89	35	286	86	76.2 (3")	1847.8

All dimensions shown are in millimeters U.N.O.